

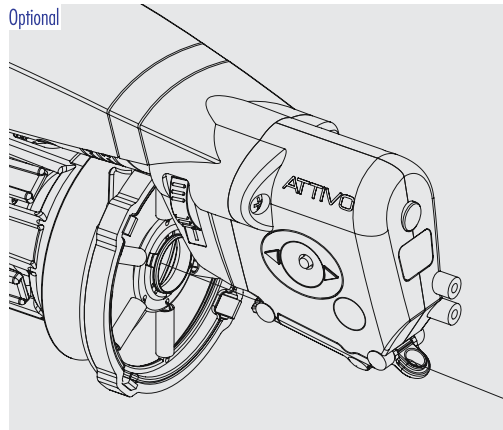
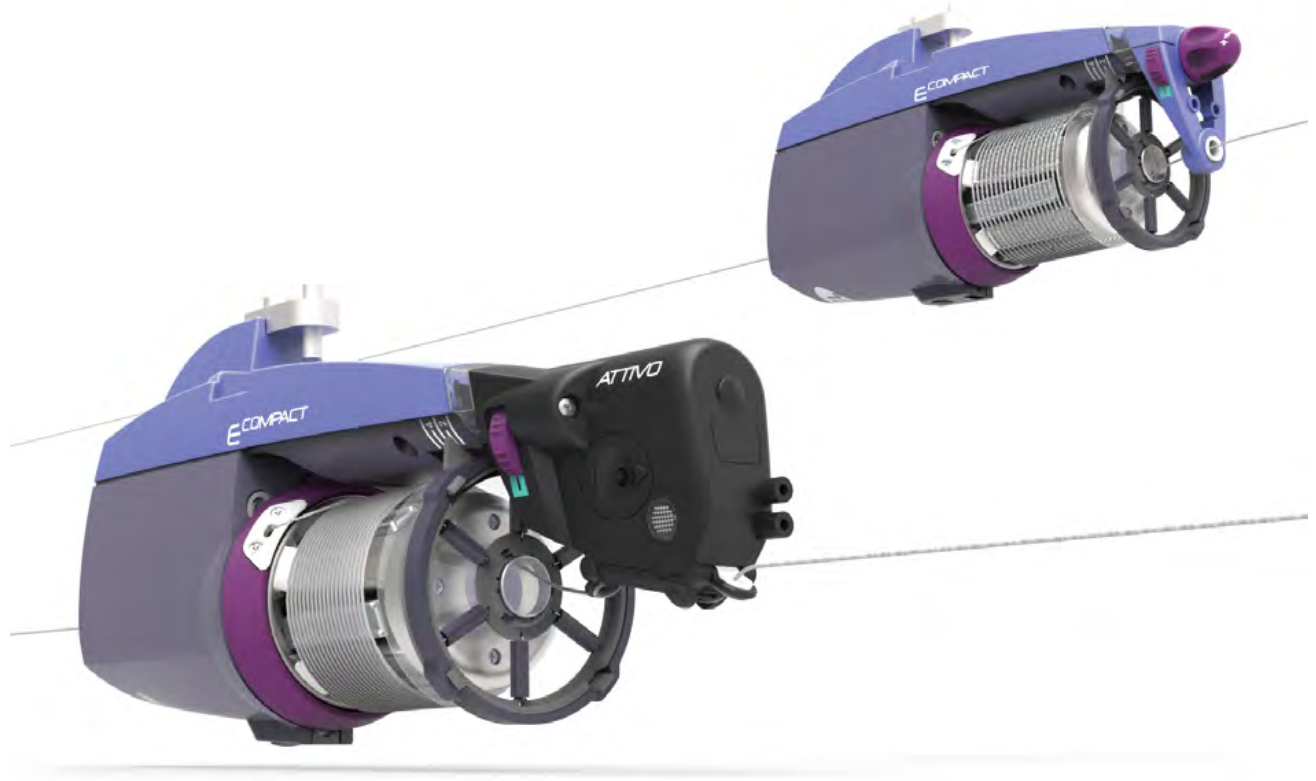
E COMPACT



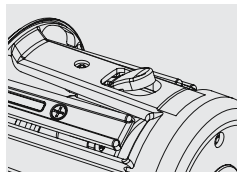
# E COMPACT

- Very compact dimensions
- Reduced weight
- Considerable power reduction (see graphic)
- "Yarn consumption" function: it measures and elaborates the yarn consumption of all feeds
- Z and/or S rotation, as needed
- ON/OFF switch, easily accessible
- Signalling lamp, visible from anywhere around the knitting machine
- Possibility to be installed in any desired position: Vertical, Inclined or Horizontal
- Electronic brake "ATTIVO" (optional): enables to program and keep constant the desired tension with full and empty bobbin. Yarn tension sensor, remotely programmable by laptop. Signaling lights are well visible from every angle. Suitable for coarse, medium or fine yarns.

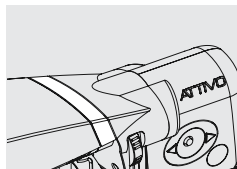
- 体型小
- 重量轻
- 能耗更低 (见图示)
- “耗纱量”功能: 可同时实现电子估量所有储纬器的纱线耗用量
- Z 或 S 捻向, 可按需选择
- ON/OFF 开关, 操作便捷
- 针织机周围可随处观察到报警灯
- 可安装在任何所需的位置: 垂直、倾斜或水平
- 电子制动器 ATTIVO (选配): 可自动保持设定的纱线张力不变, 以避免因纱筒上储纱量不同引起的张力差异。纱线张力感应器可以由手提电脑远程控制。针织机周围可随处观察到报警灯。可用于各种纱线: 粗的, 中型的或细的



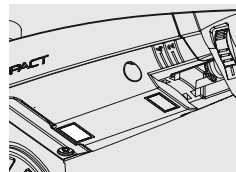
Optional  
ATTIVO allows electronic yarn tension setting and control  
ATTIVO 可由电子装置自动设置和控制纱线张力



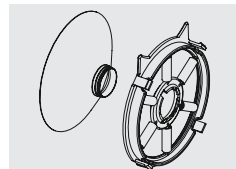
Yarn storage sensor  
储纱传感器



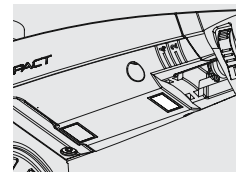
Signalling lamp  
报警灯



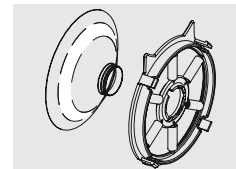
Speed control sensor up to 700 mt/min  
速度控制感应器可达到 700米/分



T.W.M. without lamina  
T.W.M. 张力圈 (不带耐磨片)



Missing yarn sensor  
断纱传感器



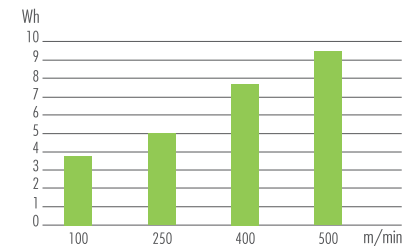
T.W.M. with lamina  
T.W.M. 张力圈 (带耐磨片)

## Technical Data:

- Count range: from 5 to 600 Den
- Weight: 1.4 Kg
- Speed: up to 700 mt/min
- Dimensions: 240x70x130 mm (LxWxH)

## 特性:

- 纱线范围: 从5 Den 至 600 Den
- 重量: 1.4 公斤
- 最高速度: 700 米/分
- 尺寸: 240x70x130毫米 (长x宽x高)



ENERGY vs YARN CONSUMPTION (Input tension 3g)  
Tested with: Polyester 150Den/Cotton Ne12/Cotton Ne16

