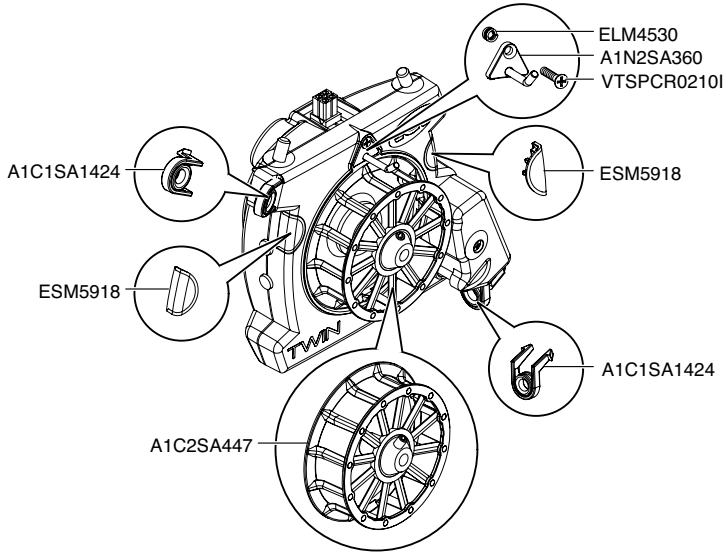


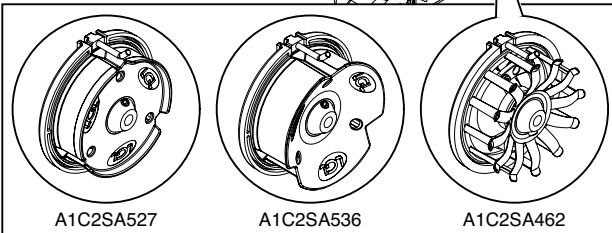
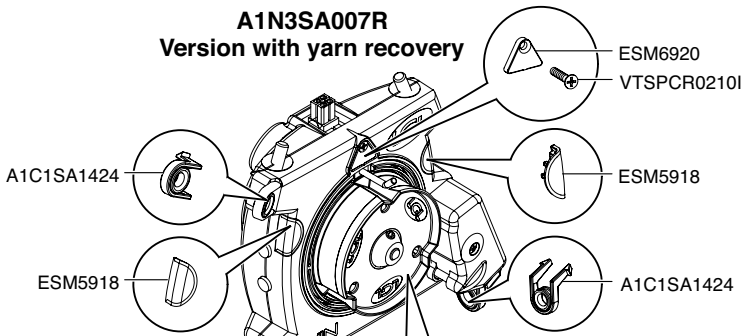
TWIN  
SPARE PARTS

## EXPLODED VIEW - TAB. 0

### A1N3SA007 Version without yarn recovery

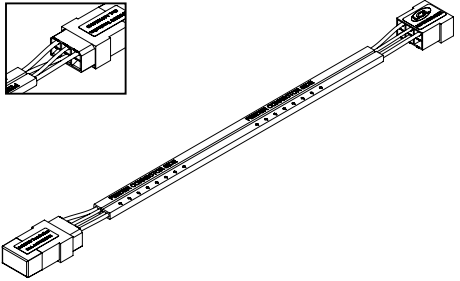


### A1N3SA007R Version with yarn recovery



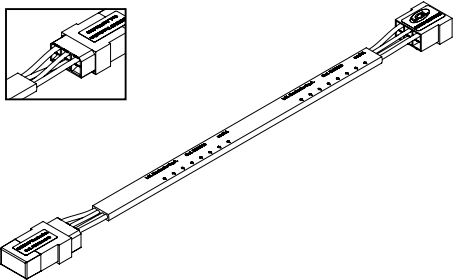
## EXPLODED VIEW - TAB. 1

CODE (LEFT)	L=XXX (mm)
A1C2SA391-015L	1500
A1C2SA391-020L	2000
A1C2SA391-030L	3000
A1C2SA391-040L	4000
A1C2SA391-050L	5000
A1C2SA391-060L	6000
A1C2SA391-070L	7000
A1C2SA391-080L	8000
A1C2SA391-090L	9000
A1C2SA391-100L	10000
A1C2SA391-110L	11000
A1C2SA391-120L	12000
A1C2SA391-140L	14000



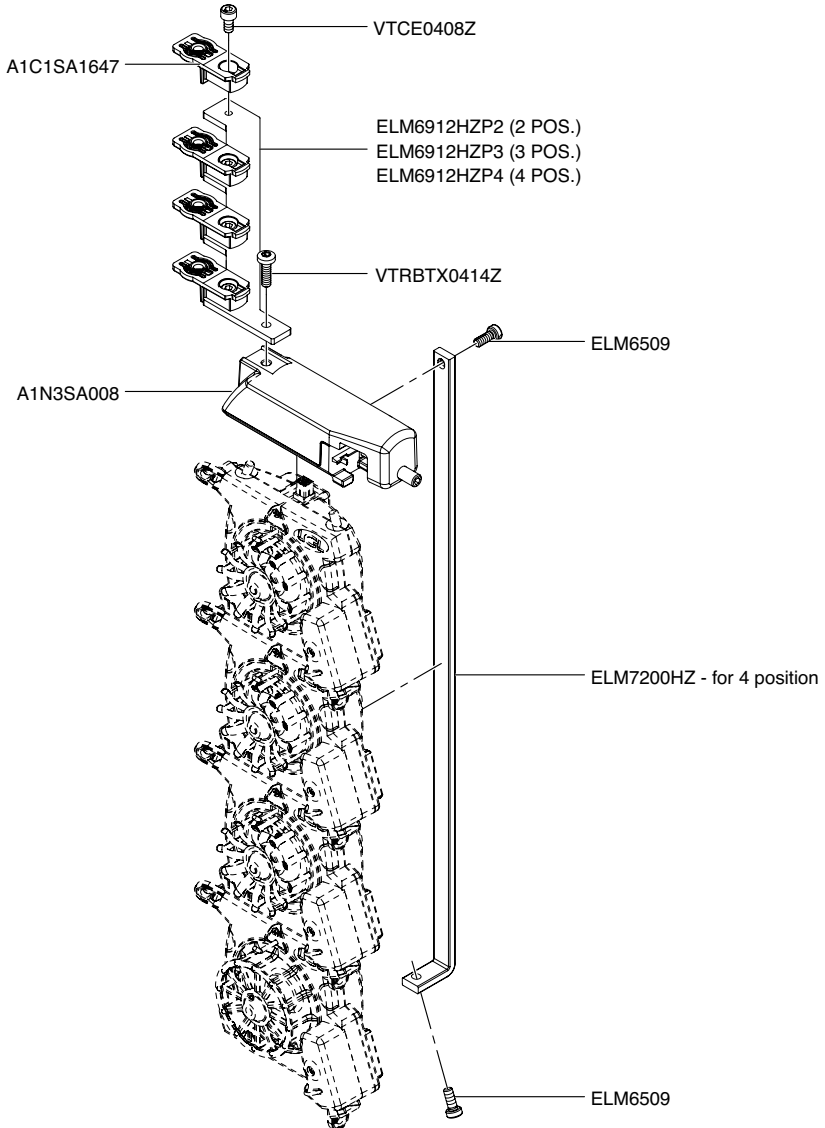
**LARGE DIAMETER DC - LEFT**

CODE (RIGHT)	L=XXX (mm)
A1C2SA391-015R	1500
A1C2SA391-020R	2000
A1C2SA391-030R	3000
A1C2SA391-040R	4000
A1C2SA391-050R	5000
A1C2SA391-060R	6000
A1C2SA391-070R	7000
A1C2SA391-080R	8000
A1C2SA391-090R	9000
A1C2SA391-100R	10000
A1C2SA391-110R	11000
A1C2SA391-120R	12000
A1C2SA391-140R	14000

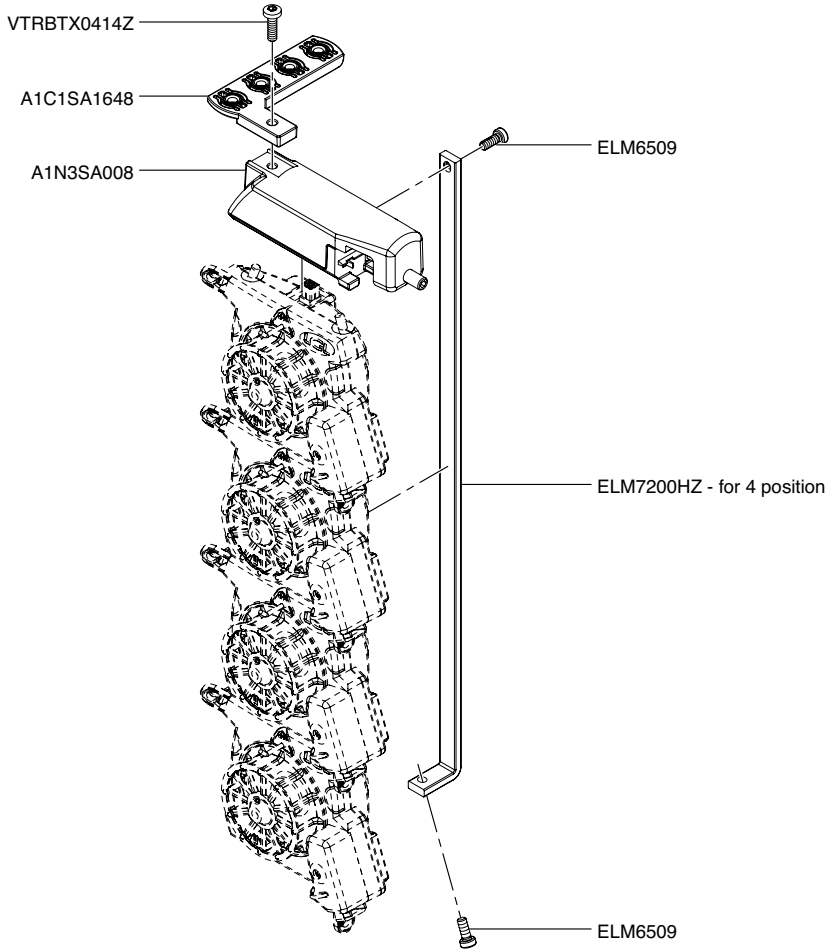


**LARGE DIAMETER DC - RIGHT**

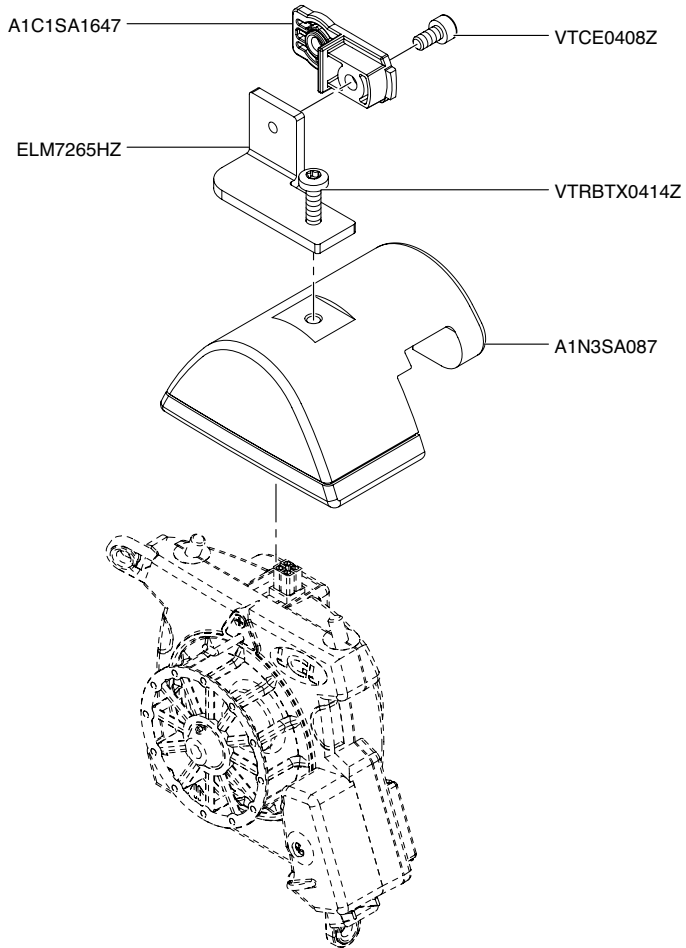
## EXPLODED VIEW - TAB. 2



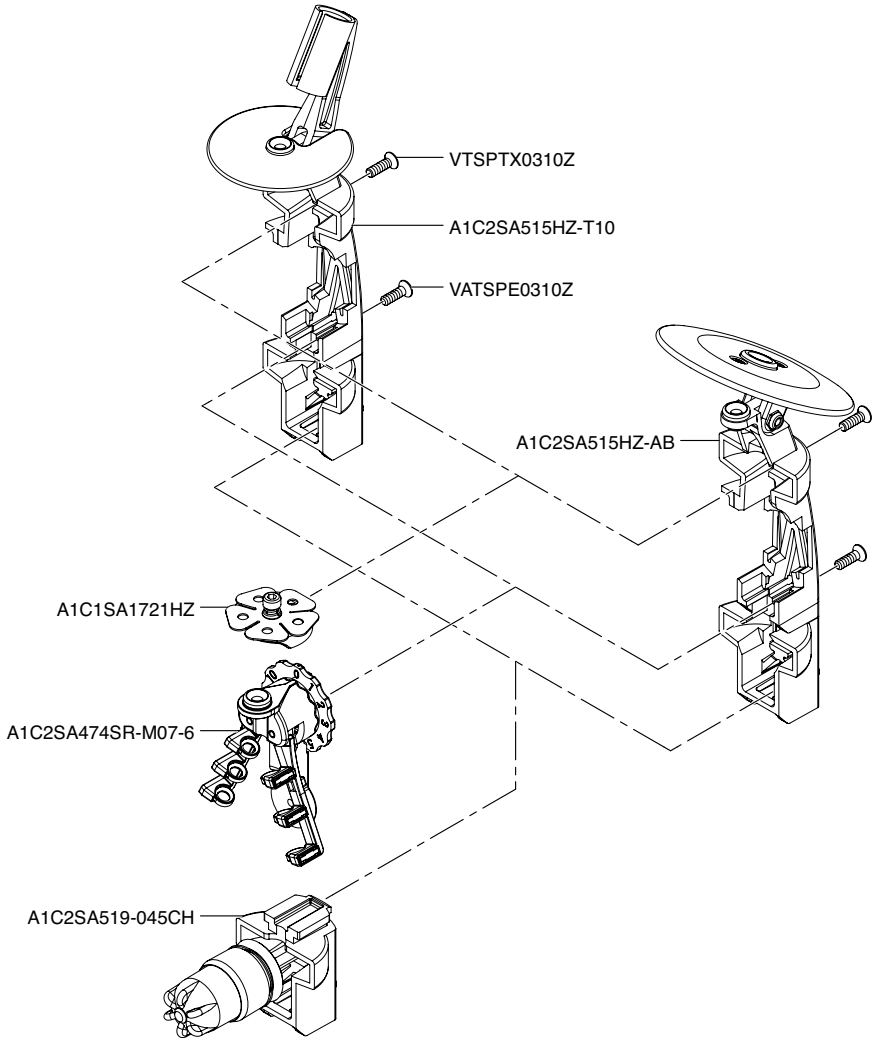
## EXPLODED VIEW - TAB. 3



## EXPLODED VIEW - TAB. 4

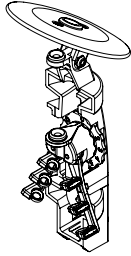


## EXPLODED VIEW - TAB. 5



## EXPLODED VIEW - TAB. 6

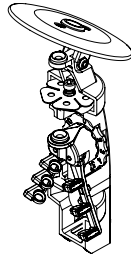
**A1C3SA088-AB**



**A1C3SA088-T10**



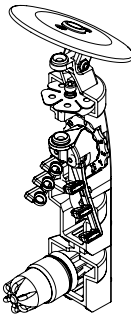
**A1C3SA089-AB**



**A1C3SA089-T10**



**A1C3SA090-AB**

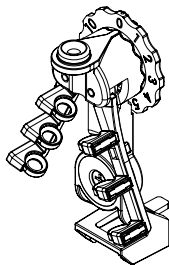


**A1C3SA090-T10**

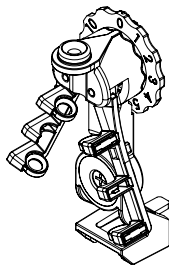




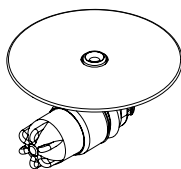
## EXPLODED VIEW - TAB. 7



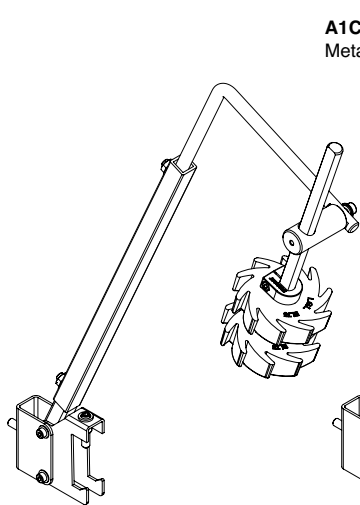
**A1C2 SA474**



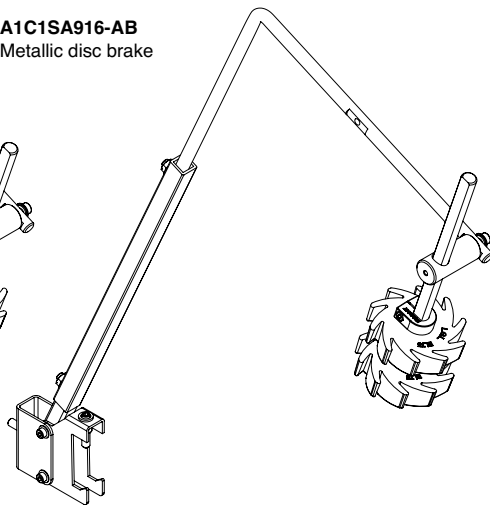
**A1C2SA474-M07-4**



**A1C1SA916-AB**  
Metallic disc brake



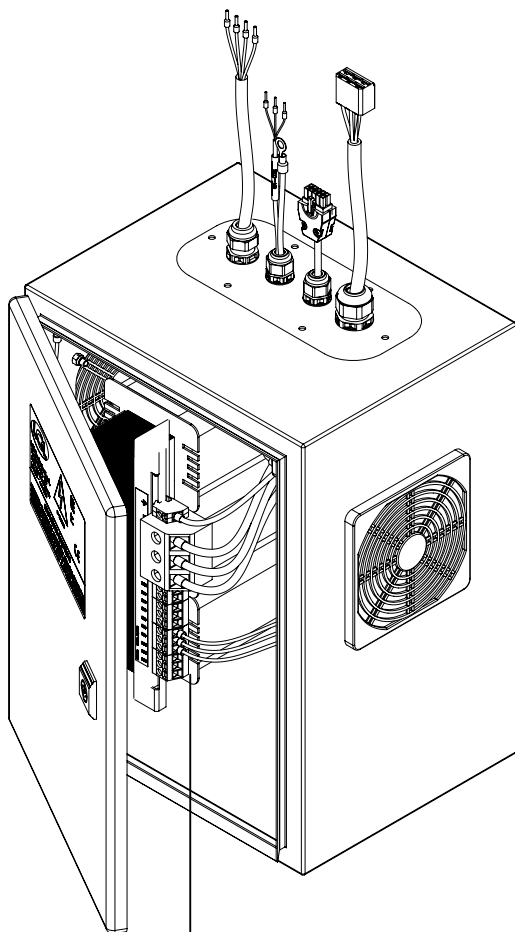
**A1C3S933**



**A1C3S933-DP**

# TWIN

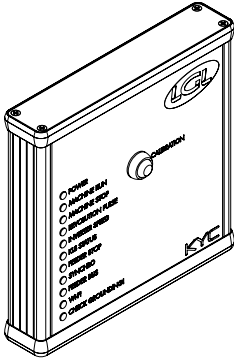
## EXPLODED VIEW - TAB. 8



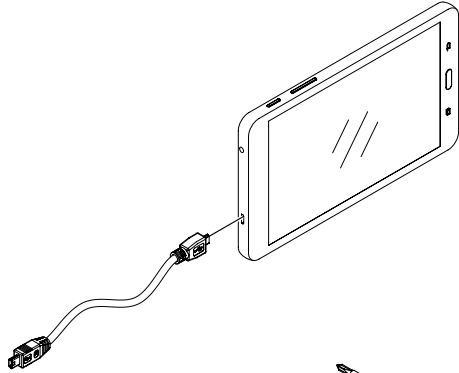
SE0653

## EXPLODED VIEW - TAB. 9

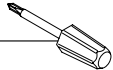
**KYC  
A3N2SA274-15**



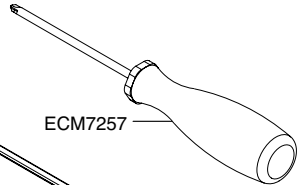
**TABLET  
ECM6770+USB**



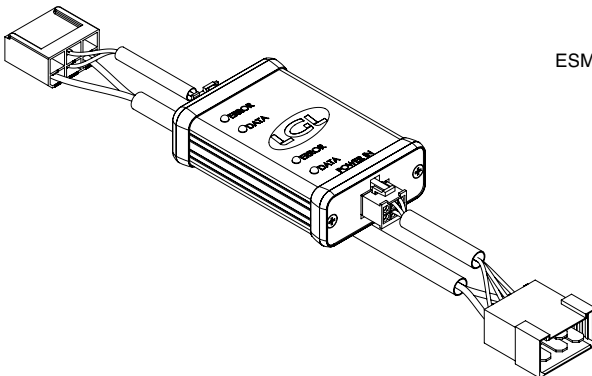
A1C1SA1800



ECM7257



**CANBUS Repeater  
A3N2SA466**



ESM4844













L.G.L. Electronics S.p.A. reserve the right to alter in any moment one or more specifications of his machines for any technical or commercial reason without prior notice and without any obligation to supply these modifications to the machines, already installed.

T +39 035 733 408 **L.G.L. Electronics S.p.A.**  
F +39 035 733 146 Via Ugo Foscolo, 156  
lgI@gl.it 24024 Gandino (BG)  
www.lgl.it Italy