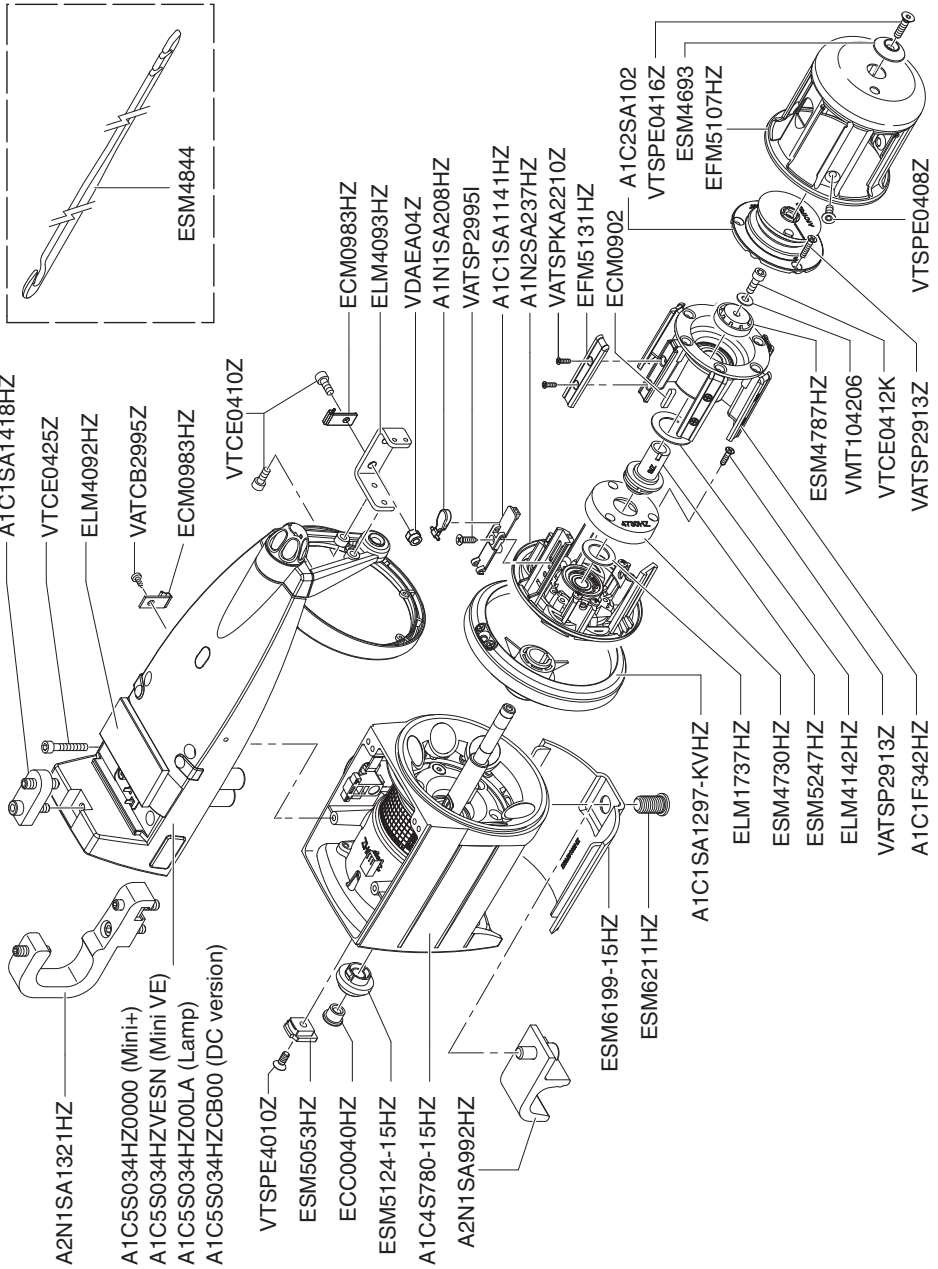


MINI<sup>+</sup>  
MINI<sup>VE</sup>  
MINI<sup>CB</sup>

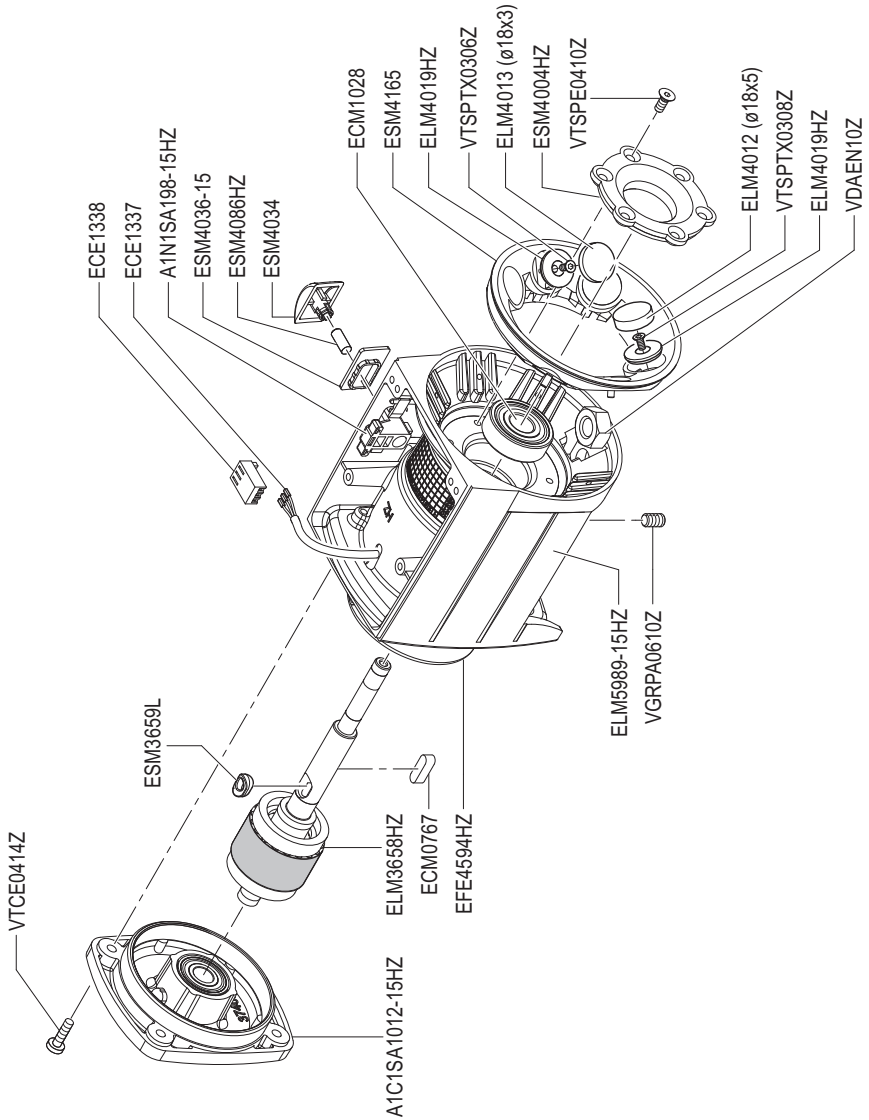
**RICAMBI**  
**SPARE PARTS**

备件

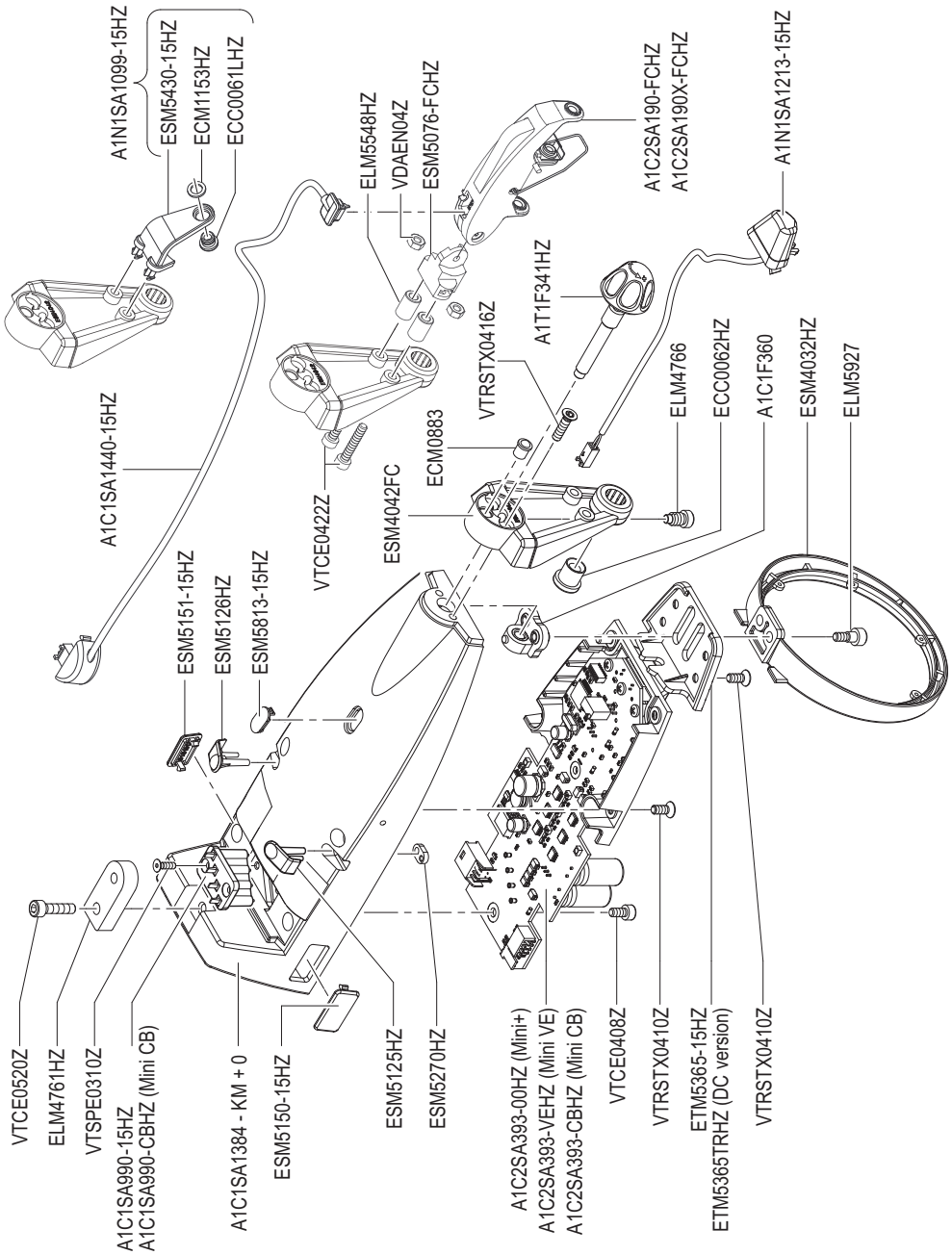
**MINI+**  
**MINI VE - MINI CB**  
**EXPLODED VIEW - TAB. 0**



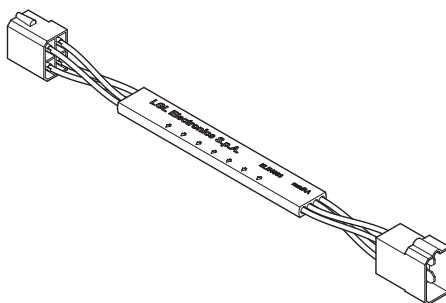
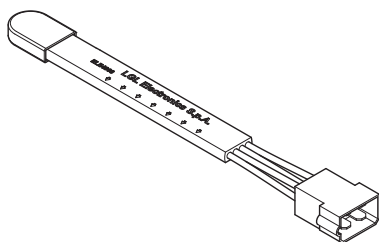
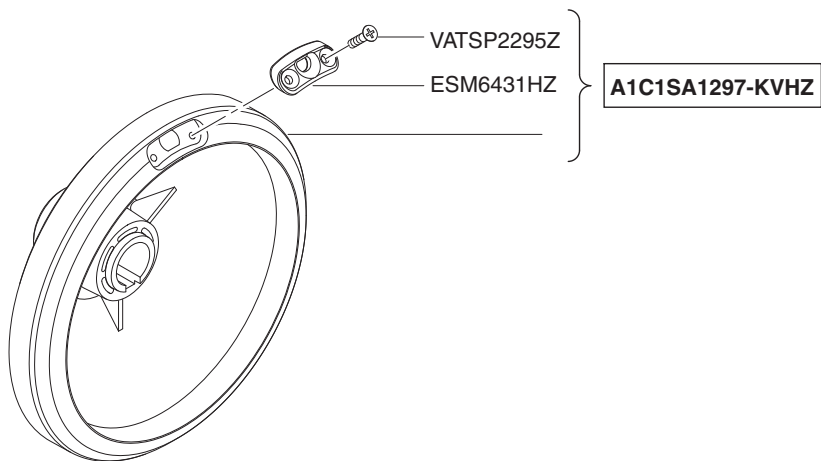
**MINI+**  
**MINI VE - MINI CB**  
 EXPLODED VIEW - TAB. 1



**MINI+**  
**MINI VE - MINI CB**  
 EXPLODED VIEW - TAB. 2



**MINI+**  
**MINI VE - MINI CB**  
 EXPLODED VIEW - TAB. 3



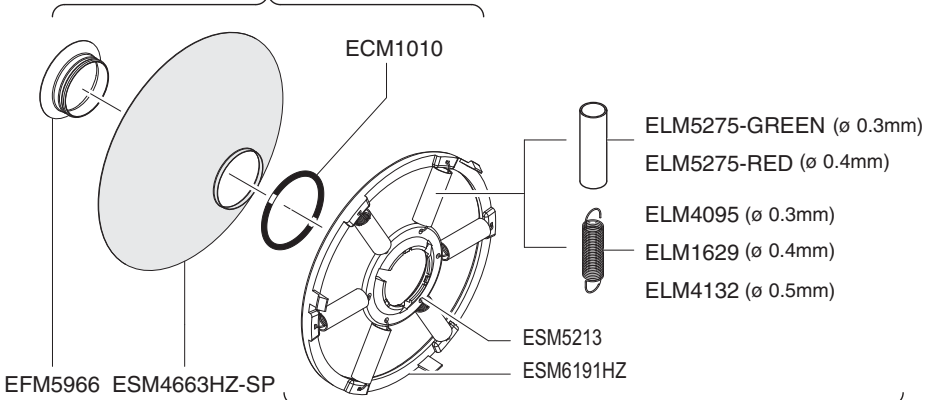
A1C2S795-030HZ  
 Power cable extension 3mt.

<b>CODICE</b>	<b>L = (mm)</b>
A1C1SA1000-M05HZ	5000
A1C1SA1000-M06HZ	6000
A1C1SA1000-M07HZ	7000
A1C1SA1000-M08HZ	8000
A1C1SA1000-M10HZ	10000
A1C1SA1000-M11HZ	11000
A1C1SA1000-M12HZ	12000
A1C1SA1000-M14HZ	14000

**MINI+**  
**MINI VE - MINI CB**  
 EXPLODED VIEW - TAB. 4.1

A1N3S930-0300HZ (ø 0.3mm)  
 A1N3S930-0400HZ (ø 0.4mm)  
 A1N3S930-0500HZ (ø 0.5mm)

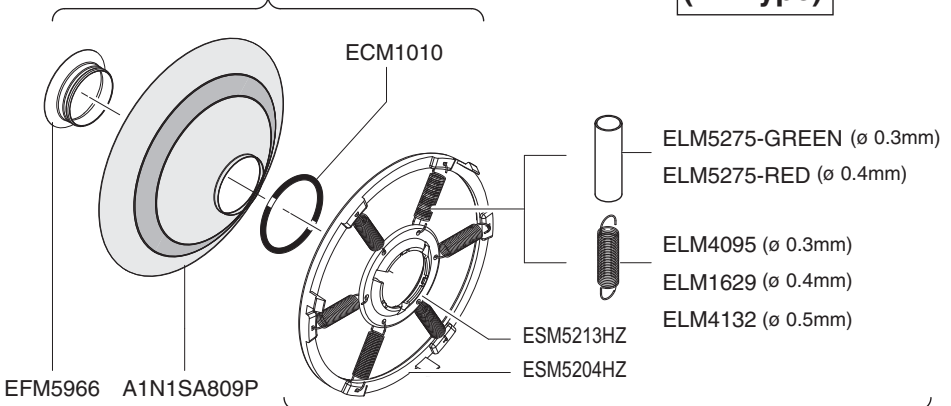
**(K Type)**



A1C1SA1436-03HZ (ø 0.3mm)  
 A1C1SA1436-04HZ (ø 0.4mm)  
 A1C1SA1436-05HZ (ø 0.5mm)

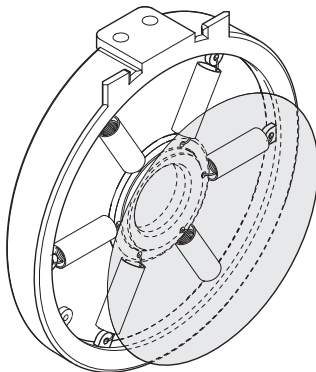
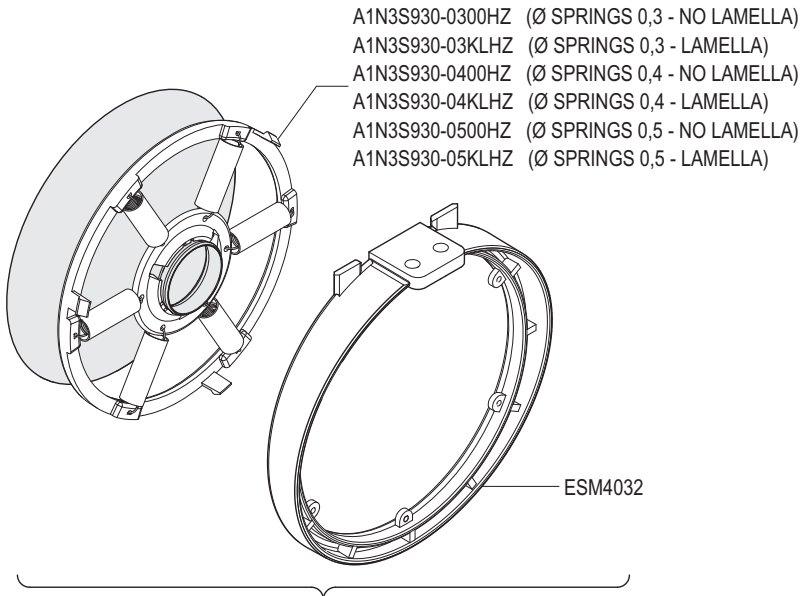
A1N3S930-03KLHZ (ø 0.3mm)  
 A1N3S930-04KLHZ (ø 0.4mm)  
 A1N3S930-05KLHZ (ø 0.5mm)

**(KL Type)**



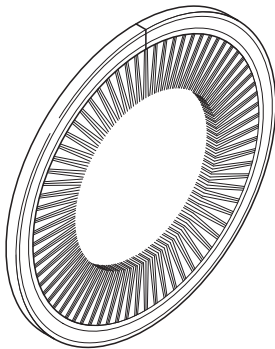
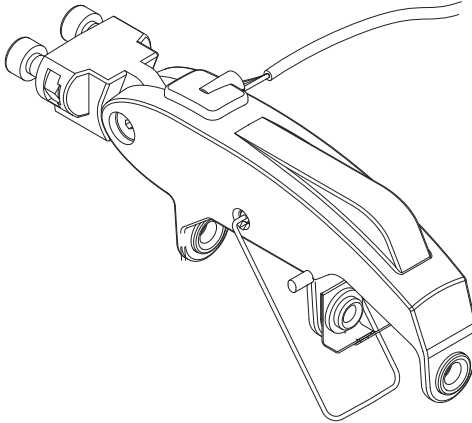
A1C1SA1436-03HZ (ø 0.3mm)  
 A1C1SA1436-04HZ (ø 0.4mm)  
 A1C1SA1436-05HZ (ø 0.5mm)

**MINI+**  
**MINI VE - MINI CB**  
EXPLODED VIEW - TAB. 4.2

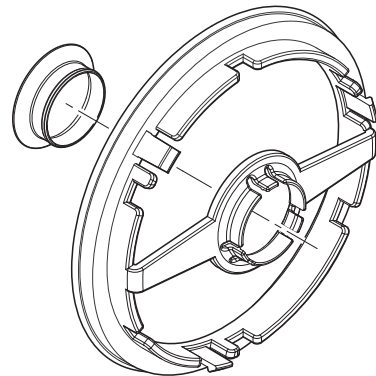


**MINI+**  
**MINI VE - MINI CB**  
EXPLODED VIEW - TAB. 5

**A1C2SA190-FCHZ (Std spring)**  
**A1C2SA190X-FCHZ (Hard spring)**



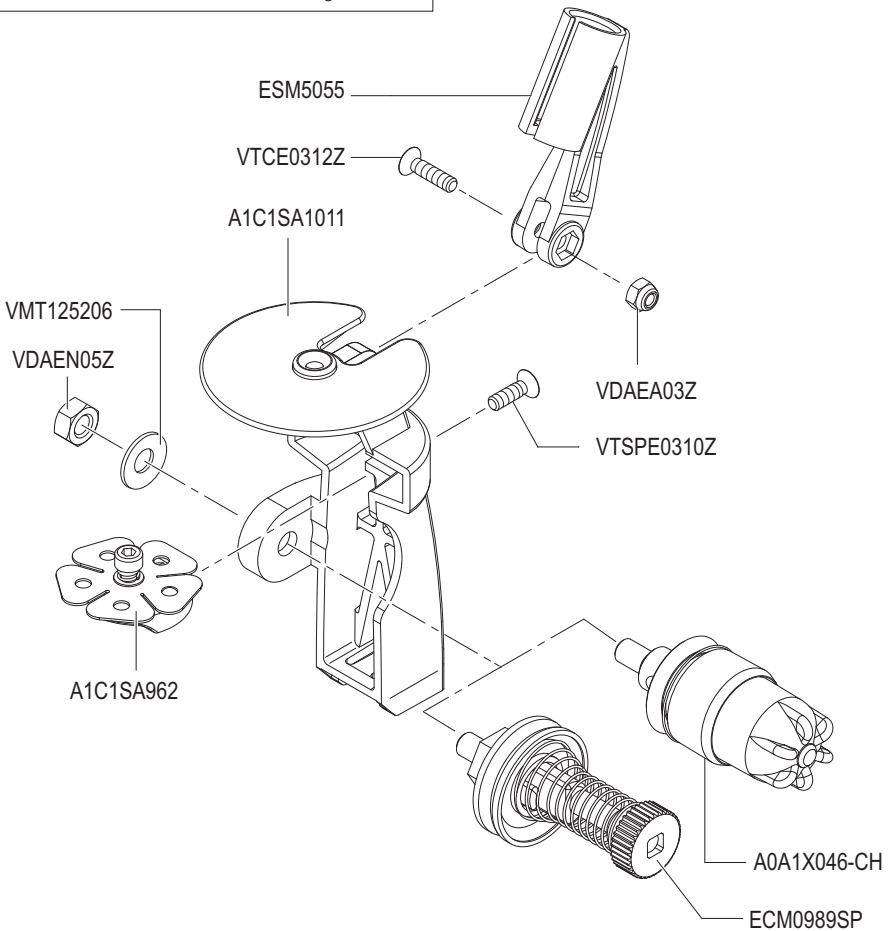
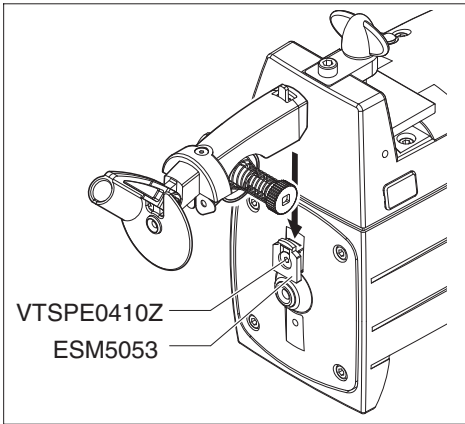
ELM4155 (CHINESE MANE - RADIAL)  
ELM4156 (0,15 NYLON - RADIAL)  
ELM4087 (GOAT HAIR - RADIAL)



A1N1SA1125-KVHZ

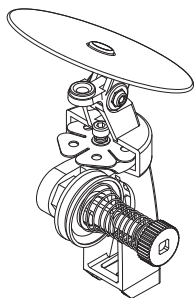


**MINI+**  
**MINI VE - MINI CB**  
 EXPLODED VIEW - TAB. 6.1

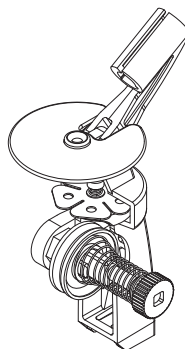


**MINI+**  
**MINI VE - MINI CB**  
EXPLODED VIEW - TAB. 6.2

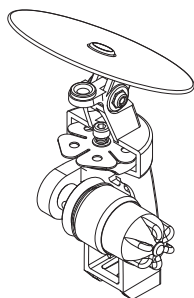
**A1C3S881-ABHZ**



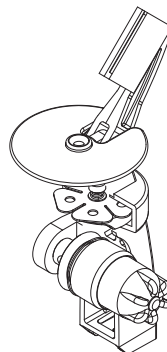
**A1C3S900-T10HZ**



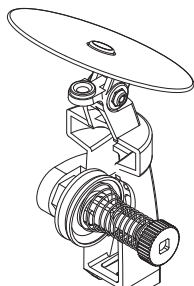
**A1C3S882-ABHZ**



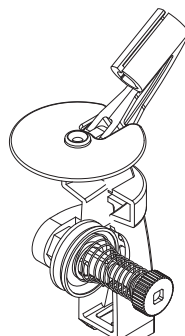
**A1C3S946-T10HZ**



**A1C3S888-ABHZ**

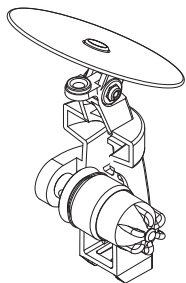


**A1C2SA207-T10HZ**

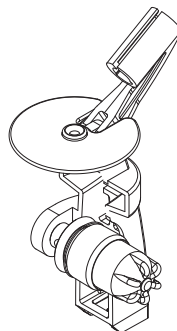


**MINI+**  
**MINI VE - MINI CB**  
EXPLODED VIEW - TAB. 6.3

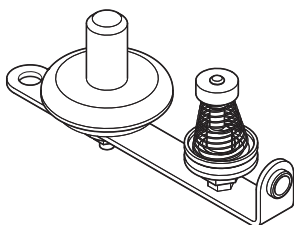
**A1C3S889-ABHZ**



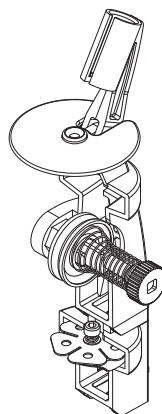
**A1C2SA253-T10HZ**



**A1C1SA388HZ**

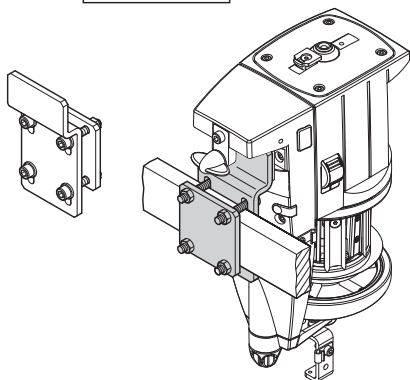


**A1C3S929HZ**

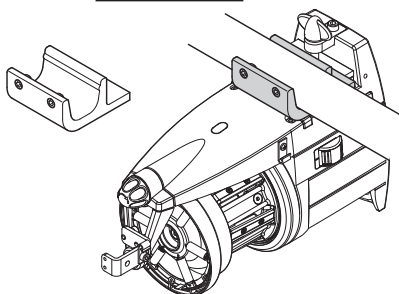


**MINI+**  
**MINI VE - MINI CB**  
**EXPLODED VIEW - TAB. 7**

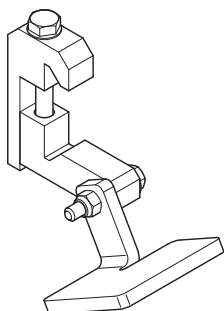
**A1C1SA391**



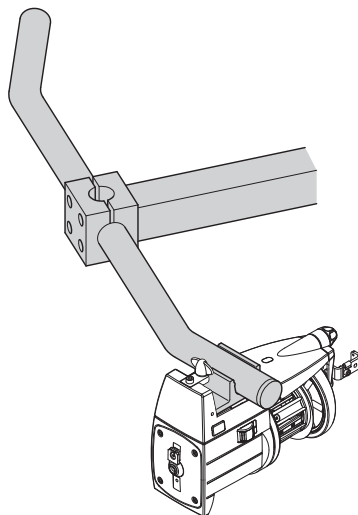
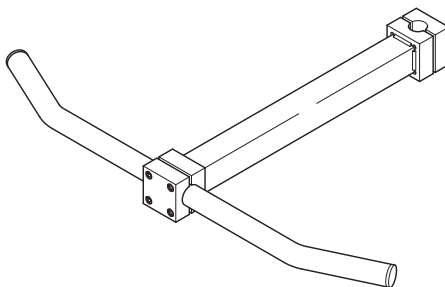
**A2N1SA403**



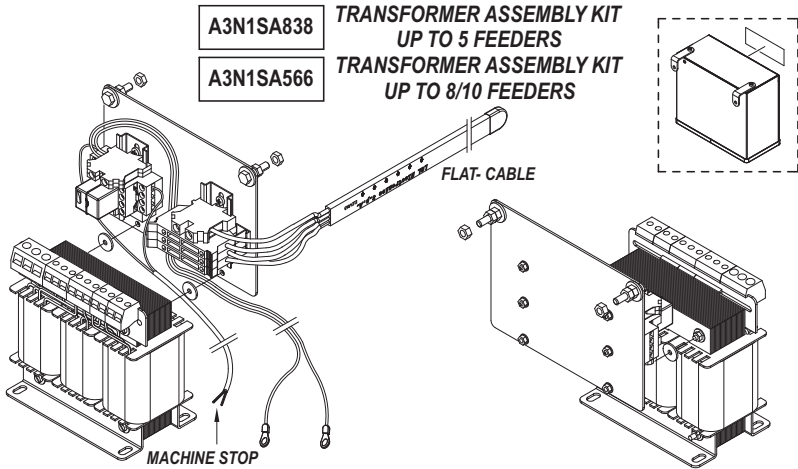
**A1C1SA825HZ**



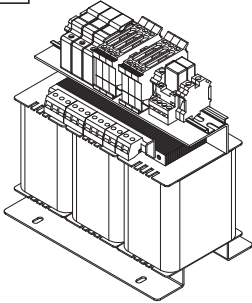
**A1N1SA377**



**MINI+  
MINI VE - MINI CB  
EXPLODED VIEW - TAB. 8**

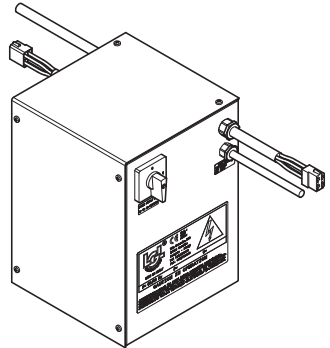


**A3N1SA595 UP TP 96 FEEDERS**



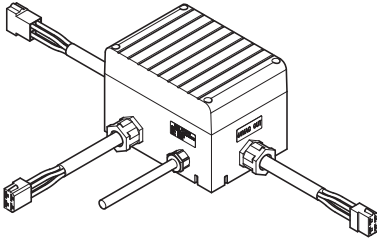
**A3N2S827 - 12  
- 24  
- 36  
- 48**

**POWER SUPPLY  
BOX**



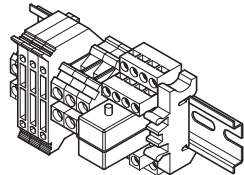
**A3N2S826**

**SHUNT POWER SUPPLY BOX  
FOR ADDITIONAL MACHINE**

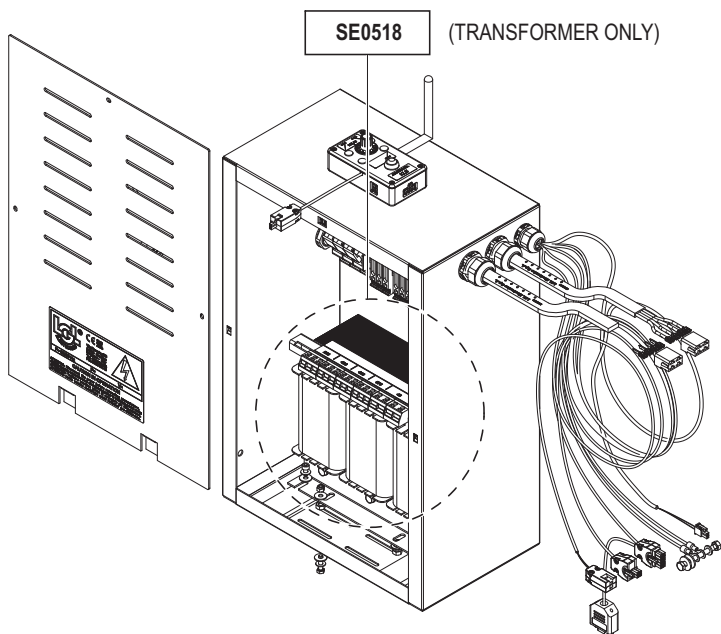


**A3N2S829**

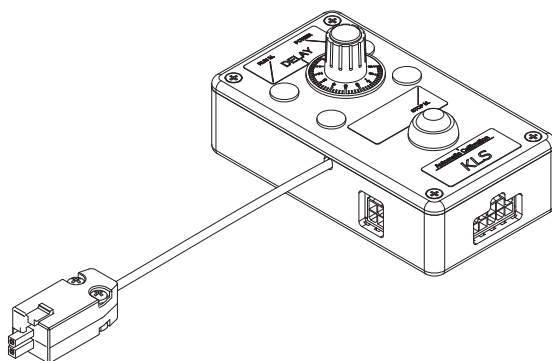
**DERIVATION KIT**



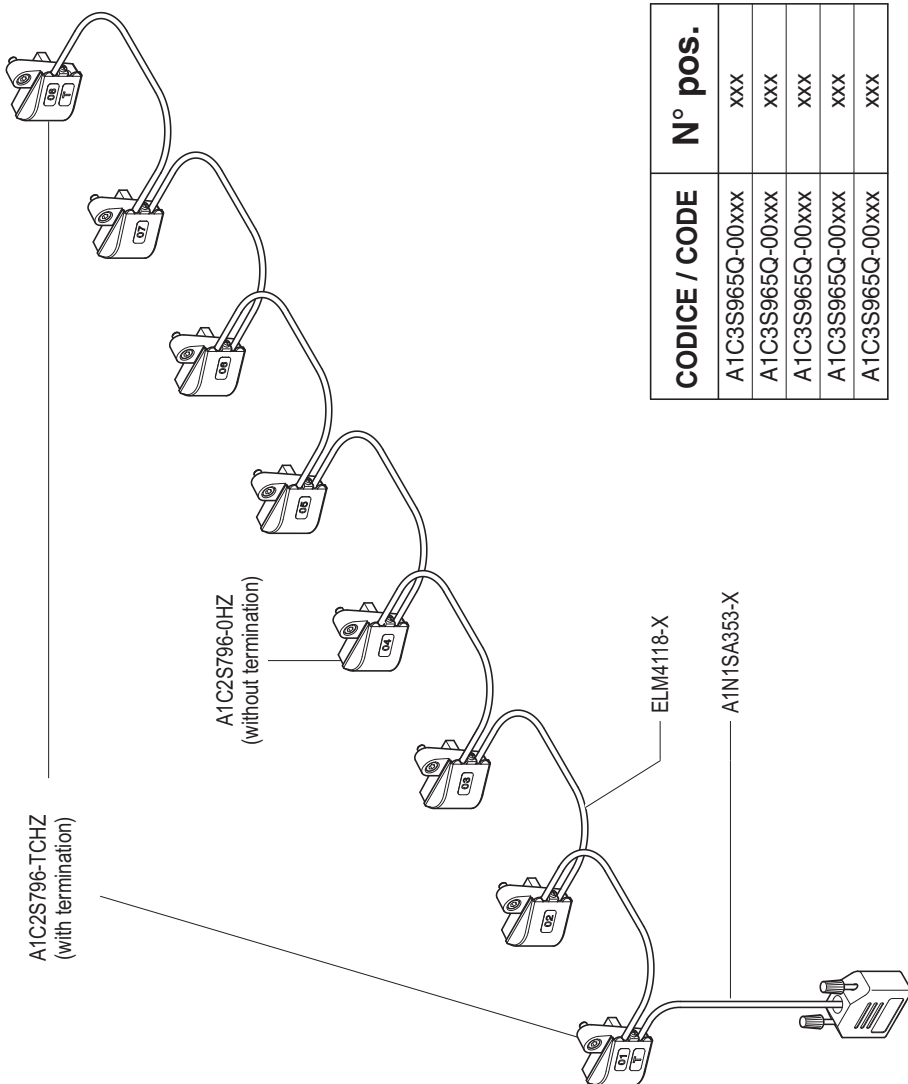
**MINI+**  
**MINI VE - MINI CB**  
EXPLODED VIEW - TAB. 9



**A3N2SA149-485V0**  
**KLS CONTROLLER**

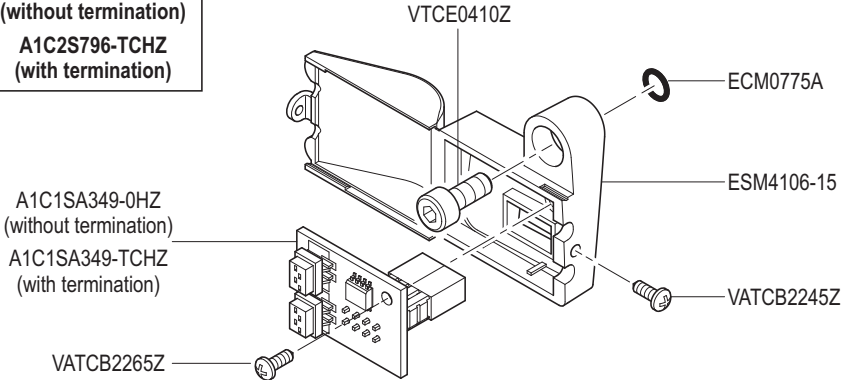


**MINI+**  
**MINI VE - MINI CB**  
 EXPLODED VIEW - TAB. 10

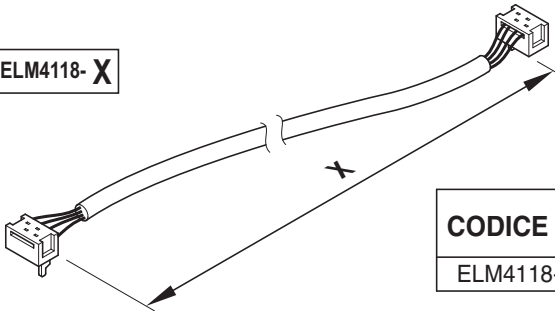


**MINI+**  
**MINI VE - MINI CB**  
 EXPLODED VIEW - TAB. 11

**A1C2S796-0HZ**  
 (without termination)  
**A1C2S796-TCHZ**  
 (with termination)

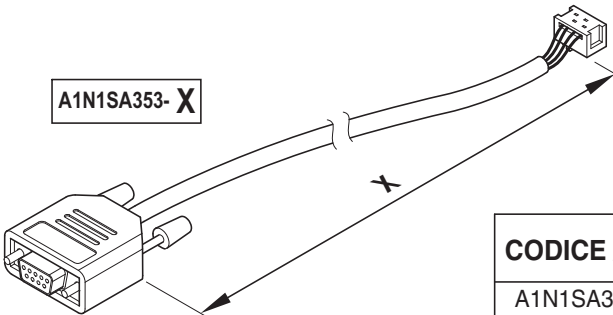


**ELM4118- X**



<b>CODICE / CODE</b>	<b>X</b>
ELM4118-xx	xx

**A1N1SA353- X**



<b>CODICE / CODE</b>	<b>X</b>
A1N1SA353-xxxx	xxxx







**L.G.L. Electronics (Hangzhou) CO.Ltd.**

Building 17, 189 Hongcan Road,  
Hongken Nongchang, Economic Development Zone,  
Xiaoshan District, Hangzhou, Zhejiang  
T: +86-571-82877258  
F: +86-571-828772  
Email: lglhz@lgl.it

爱吉尔电子(杭州)有限公司  
浙江省杭州市萧山区经济技术开发区红垦农场红  
灿路189号17幢  
电话: +86 0571-82877258  
传真: +86 0571-82877268  
邮箱: lglhz@lgl.it

**L.G.L. Electronics (Hangzhou) Co.,  
Ltd. FOSHAN Branch**

52-54 Jin Hong Street, Textile City, Xiqiao Town,  
Nanhai District, Foshan, Guangdong  
T: +86-757-86819435  
F: +86-757-86898258  
Email: yli@lgl.it

爱吉尔电子(杭州)有限公司佛山分公司  
广东省佛山市南海区西樵轻纺城锦虹街52-54号  
电话: +86-757-86819435  
传真: +86-757-86898258  
邮箱: yli@lgl.it

**L.G.L. Electronics (Hangzhou) Co., Ltd. -  
SHANTOU service station**

A2108, Building 15, Dongsheng New World,  
Gurao Town, Chaoyang District, Shantou City,  
Guangdong Province, China  
T: +86-757-86819435  
F: +86-757-86898258  
Email: yli@lgl.it

爱吉尔电子(杭州)有限公司 - 汕头服务点  
中国广东省汕头市潮阳区谷饶镇东升新世界15  
栋A2108  
电话: +86-757-86819435  
传真: +86-757-86898258  
邮箱: yli@lgl.it

L.G.L. Electronics S.p.A. reserve the right to alter in any moment  
one or more specifications of his machines for any technical or  
commercial reason without prior notice and without any obligation  
to supply these modifications to the machines, already installed.